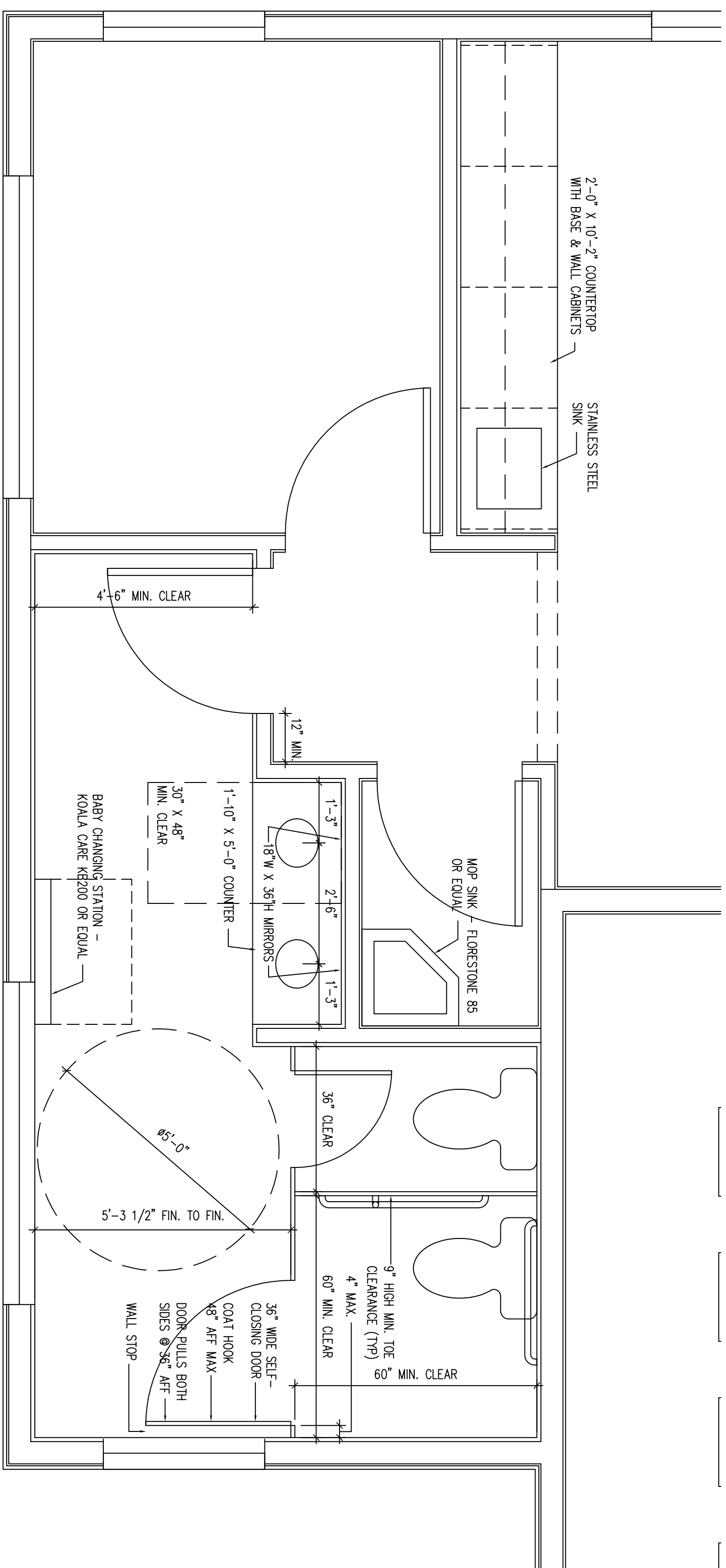
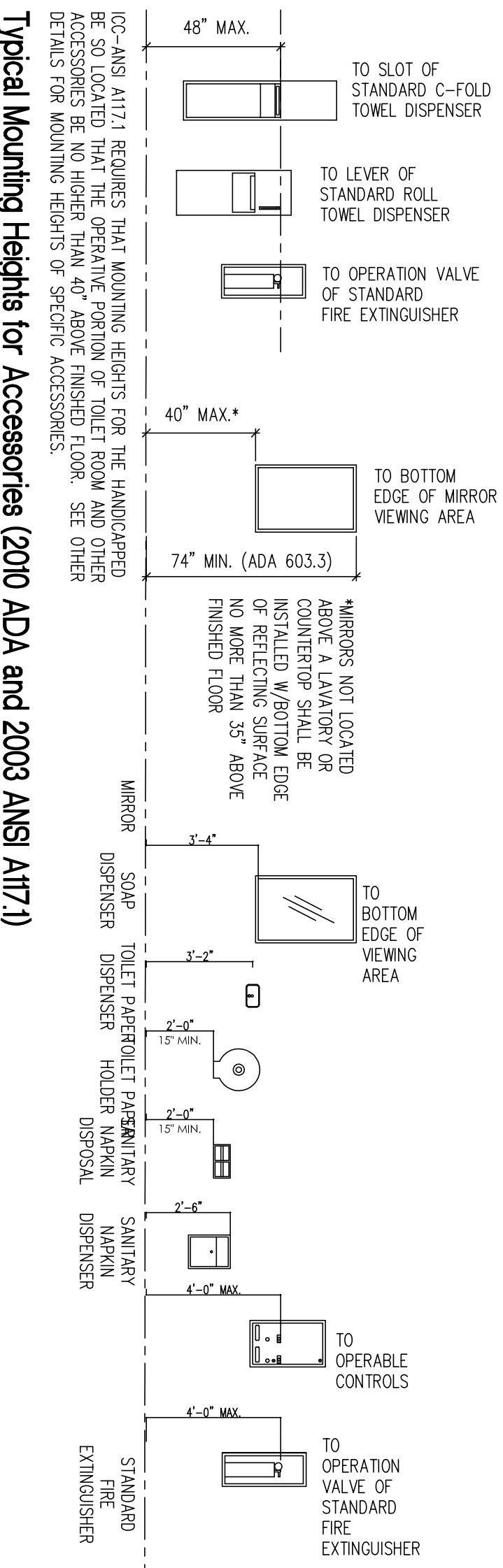


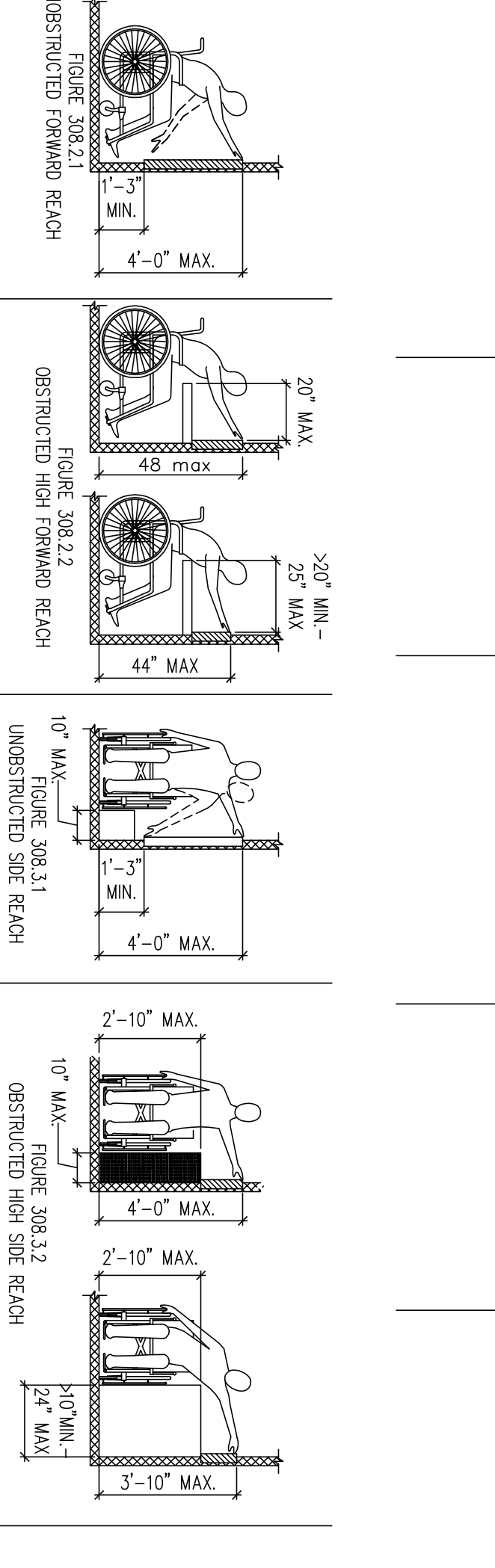
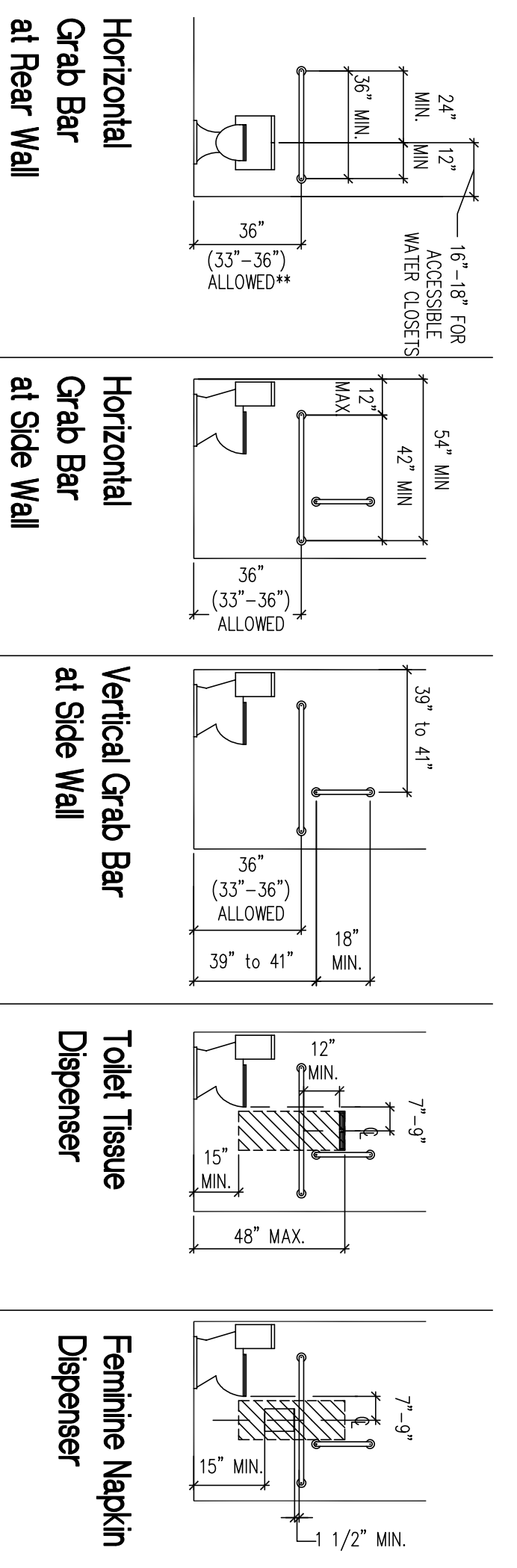
1 MEN'S ROOM 106
SCALE: 1/2" = 1'-0"



2 WOMEN'S ROOM 107 JAN CLO 110 & COFFEE COUNTER
SCALE: 1/2" = 1'-0"

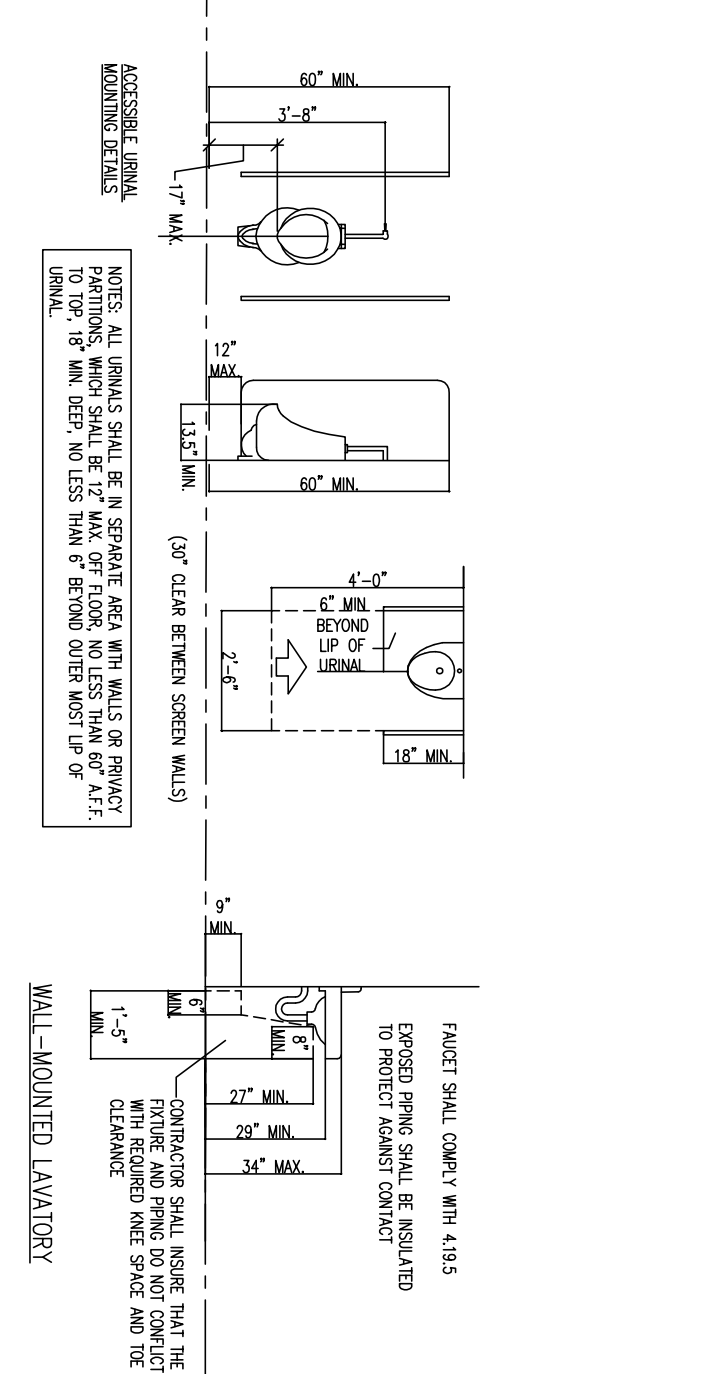


Typical Mounting Heights for Accessories (2010 ADA and 2003 ANSI A17.1)

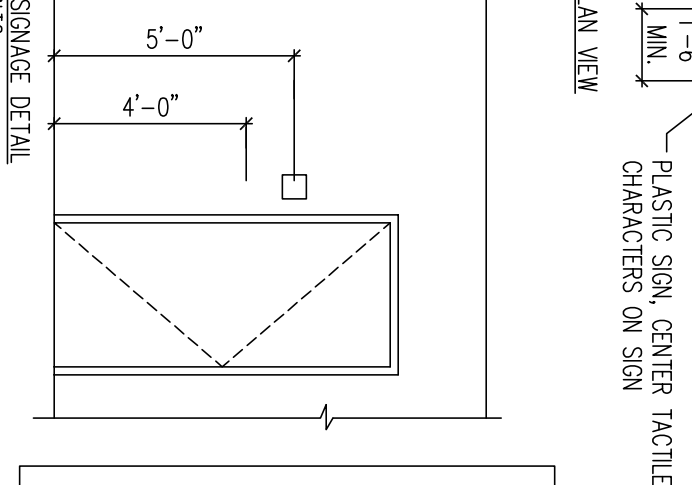


Typical Reach Ranges (2010 ADA and 2003 ANSI A17.1)

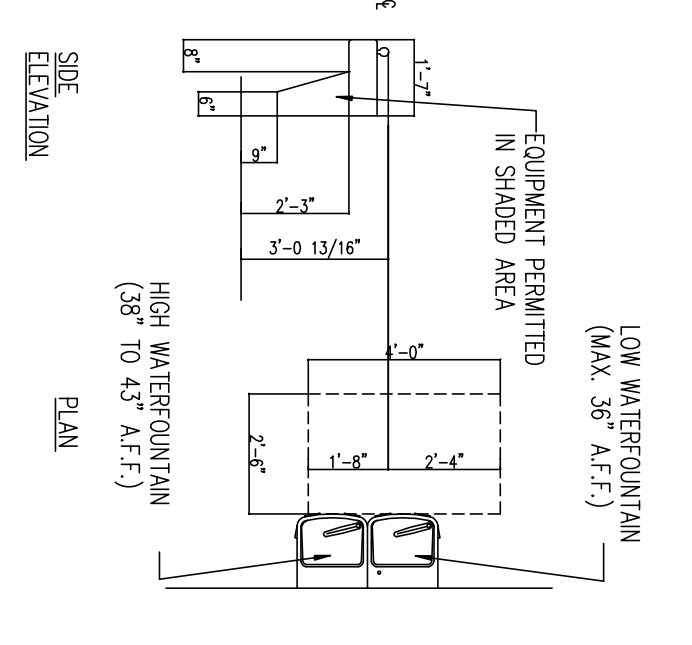
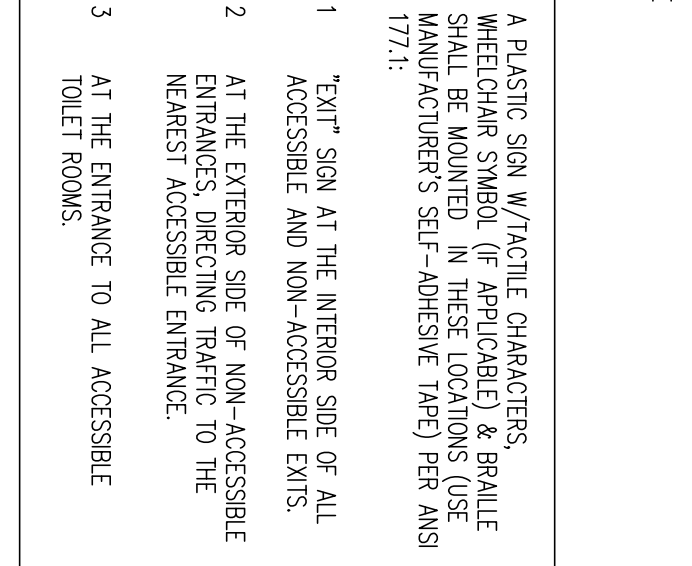
3 BARRIER-FREE DETAILS
SCALE: NOT TO SCALE



Accessible Vanity Detail



Typical Signage Detail (2010 ADA and 2003 ANSI A17.1)



ACCESSIBLE DRINKING FOUNTAIN MOUNTING DETAILS

ATHOUSE, JAFFE & ASSOCIATES, LLC
ARCHITECTS AND INTERIORS
758 BERKOWENVILLE ROAD
PERKOWENVILLE, PA 18074
TEL: 610.754.9360 610.754.9352 FAX

In His Presence Church
Block 6701, Lot 3
Franklin Township, NJ
Proposed New Church Building

Date: 3/22/05
Scale: As Noted
Plan Enlargements & Details
Checked: [Signature]
Reviewed: [Signature]

A202

This document is prepared by the architect and is not to be used for construction without the approval of the architect. The architect shall not be responsible for any errors or omissions in this document. The user of this document shall be responsible for its accuracy and for any consequences arising from its use.